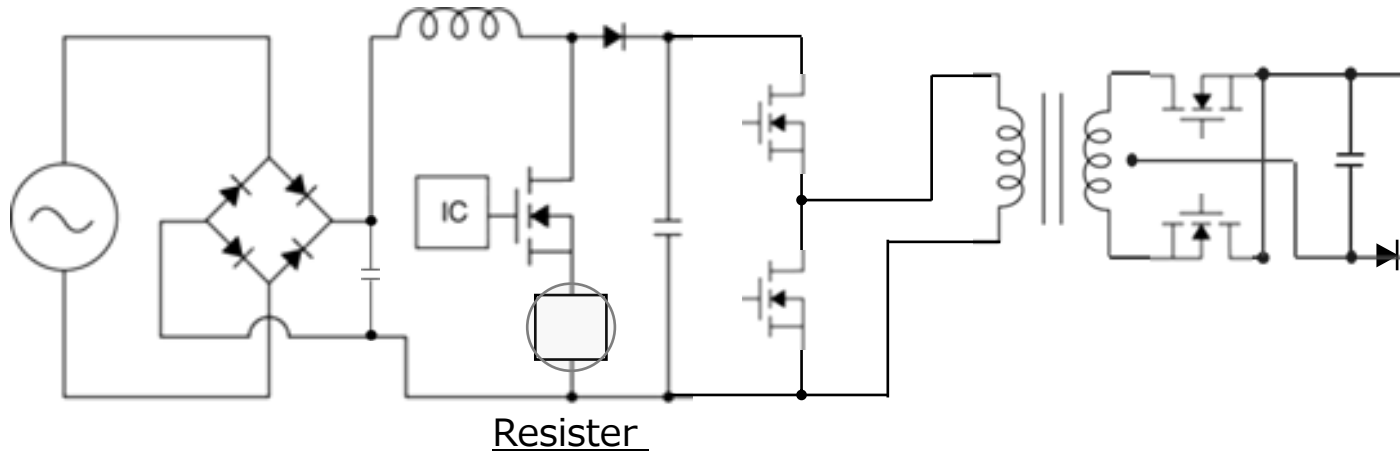


< Power supply peripheral circuit >



R

Shunt Resistors

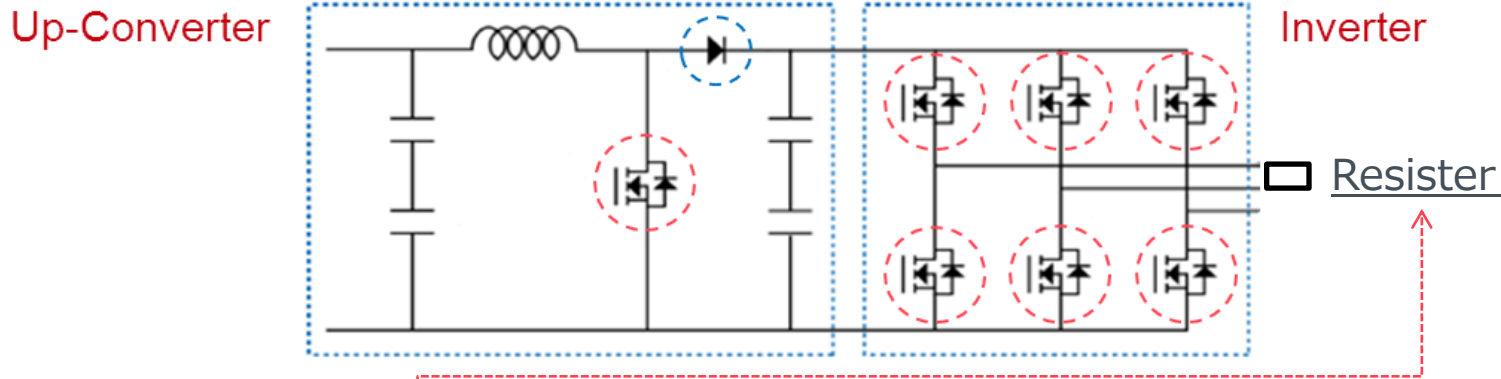
LTR series
PMR series
GMR series

Shunt Resistor for current detection

Parts No.	Package (mm) [inch]	Rated power (70°C)	Tolerance	Resistance Range [mΩ]
LTR18	3.2 x 1.6 [1206]	1W	J (±5%) F (±1%)	10mΩ~1Ω
LTR100	6.4 x 3.2 [2512]	2W	J (±5%) F (±1%)	100mΩ~910mΩ
PMR100	6.4 x 3.2 [2512]	2W	J (±5%) F (±1%)	1, 2, 3, 4, 5, 6, 7, 8, 9, 10
★GMR100	6.4 x 3.2 [2512]	3W	J (±5%) F (±1%)	10mΩ~220mΩ

★ : Under development

< Inverter peripheral circuit >



R Shunt Resistors

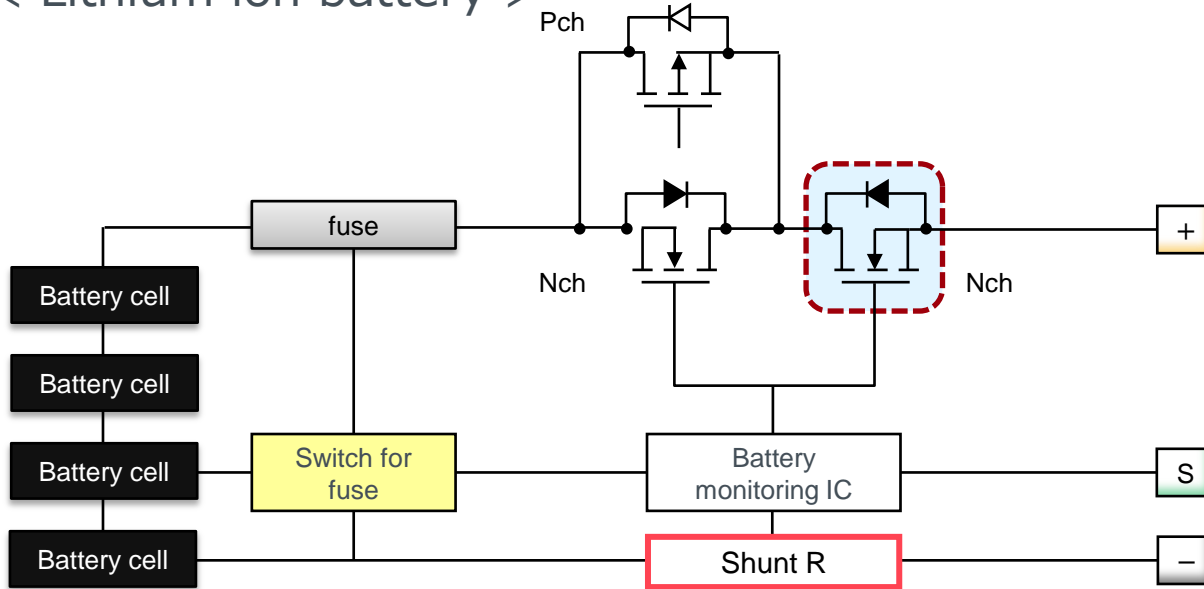
- LTR series
- PMR series
- GMR series
- PSR series

Shunt Resistor for current detection

Parts No.	Package (mm) [inch]	Rated power (70°C)	Tolerance	Resistance Range [mΩ]
PMR18	3.2 x 1.6 [1206]	1W	J (±5%) F (±1%)	1,2,3,4,5,6,7,8,9,10
PMR100	6.4 x 3.2 [2512]	2W	J (±5%) F (±1%)	1,2,3,4,5,6,7,8,9,10
★GMR100	6.4 x 3.2 [2512]	3W	J (±5%) F (±1%)	10mΩ~220mΩ
PSR400	10 x 5.2 [3921]	4W	J (±5%) G (±2%) F (±1%)	0.3,0.5,1.0,2.0,3.0
PSR500	15 x 7.75 [5931]	5W	J (±5%) G (±2%) F (±1%)	0.2,0.3,0.4,0.5,1.0,2.0

★ : Under development

< Lithium ion battery >



Shunt Resistors PMR series

Shunt Resistor for current detection

Parts No.	Package (mm) [inch]	Rated power (70°C)	Tolerance	Resistance Range [mΩ]
PMR03	1.6 x 0.8 [0603]	0.25W	J (±5%) F (±1%)	10
PMR10	2.0 x 1.2 [0805]	0.5W	J (±5%) F (±1%)	2,3,4,5,6,7,8,9,10
PMR18	3.2 x 1.6 [1206]	1W	J (±5%) F (±1%)	1,2,3,4,5,6,7,8,9,10